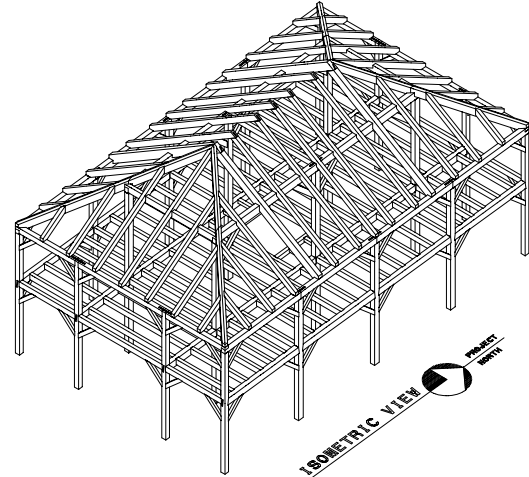
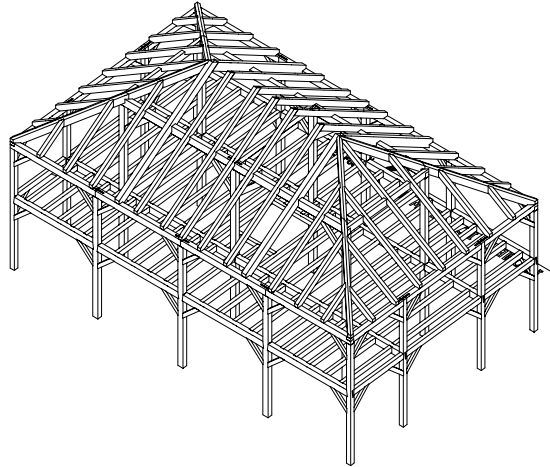
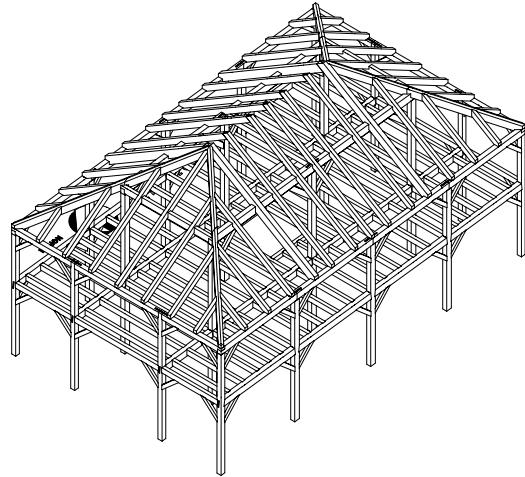


ISOMETRIC VIEW



ISOMETRIC VIEW

BROWN BARN



COPYRIGHT LAWS PROHIBIT REPRODUCTION OR USE OF THIS DRAWING, IN WHOLE OR IN PART, WITHOUT THE EXPRESSED WRITTEN PERMISSION OF DW TIMBER FRAME DESIGN, LLC KEENE, NEW HAMPSHIRE

DO NOT SCALE DIMENSIONS ON THESE DRAWINGS. THESE IMAGES ARE MACHINE REPRODUCTIONS AND MAY CONTAIN A MARGIN OF ERROR.

DW TIMBER FRAME DESIGN, LLC

CUSTOMER: BROWN BARN

DRAWN BY: DEW

DRAWING NUMBER:

DRAWING: ISOMETRIC VIEW

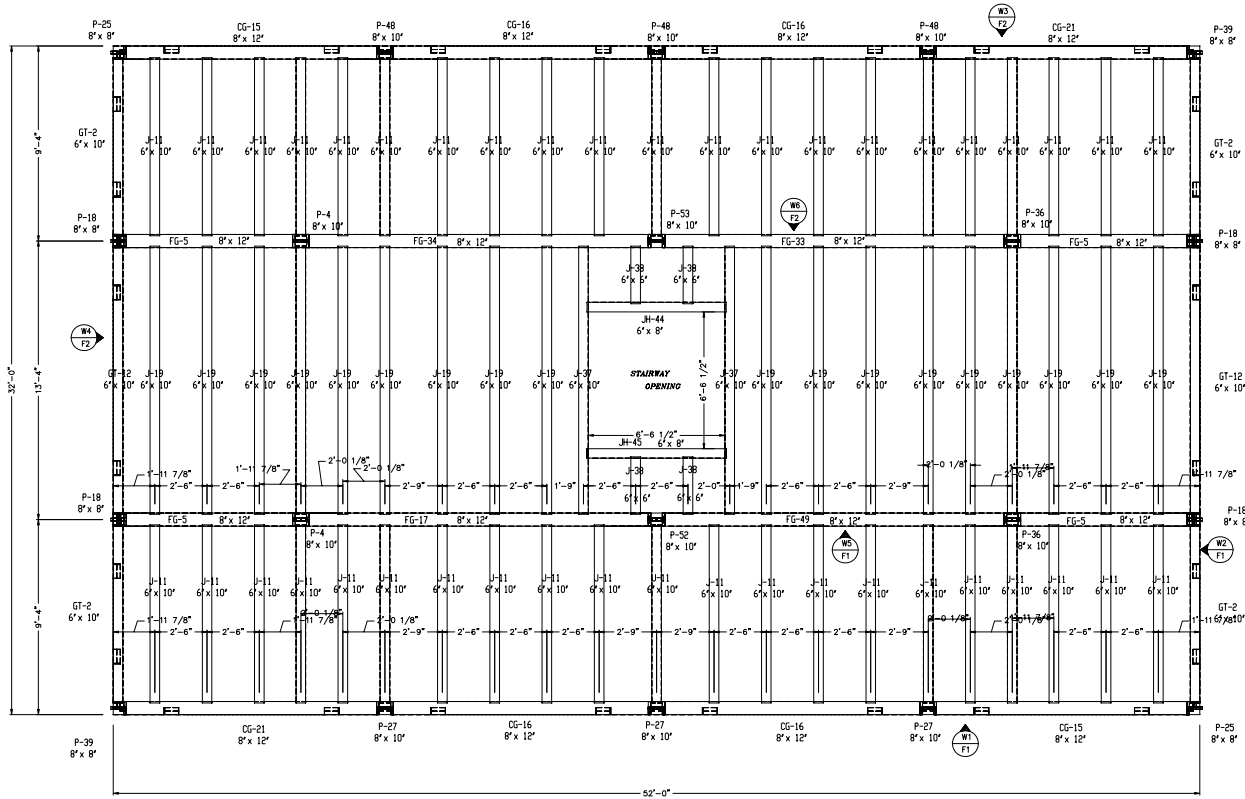
REVISIONS: 5/10/06

ISO

SCALE: NOT TO SCALE DATE:

PROJECT NUMBER:

ALL DOUGLAS FIR TIMBERS
ARE NOMINAL SIZE
(example 6x8 = 5 1/2 x 7 1/2)
(EXCEPT BRACES)



- BT = BAY TIE
- CT = COLLAR TIE
- EG = EAVE GIRT
- EP = EAVE PLATE
- FG = FLOOR GIRT
- GT = GABLE TIE
- HB = HAMMER BEAM
- HP = HAMMER POST
- HR = HIP RAFTER
- J = JOIST
- KPO = KING POST
- P = POST
- PR = PORCH RAFTER
- PT = PURLIN TIE
- PN = BENT PURLIN
- PLN = PRINCIPLE PURLIN
- R = RAFTER
- RPN = RIDGE PURLIN
- VR = VALLEY RAFTER

ALL FRAME MEMBERS ARE OF STRUCTURAL DOUGLAS FIR
(SUBSTITUTE SPECIES WILL BE NOTED)

POST PLAN & WALL KEY



NOTE: ALL FRAME WALLS ARE VIEWED FROM
OUTSIDE UNLESS NOTED OTHERWISE

COPYRIGHT LAWS PROHIBIT REPRODUCTION OR USE OF THIS DRAWING,
IN WHOLE OR IN PART, WITHOUT THE EXPRESSED WRITTEN PERMISSION
OF DW TIMBER FRAME DESIGN, LLC KEENE, NEW HAMPSHIRE

DO NOT SCALE DIMENSIONS ON THESE
DRAWINGS. THESE IMAGES ARE
MACHINE REPRODUCTIONS AND MAY
CONTAIN A MARGIN OF ERROR.

DW TIMBER FRAME DESIGN, LLC

CUSTOMER: BROWN BARN

DRAWN BY: DEW

DRAWING
NUMBER:

DRAWING: POST PLAN

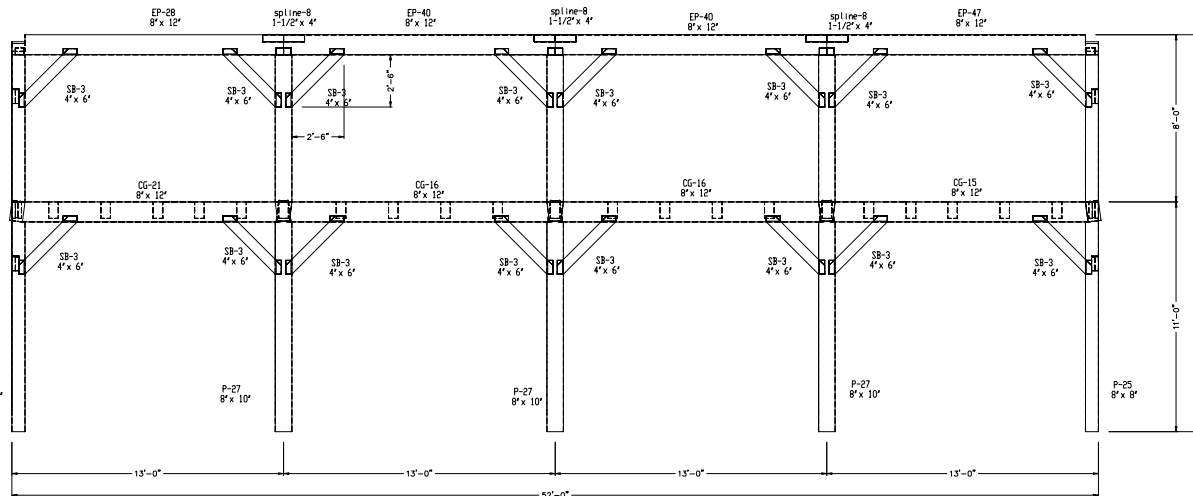
REVISIONS: 5/10/06

PP

SCALE: 3/8" = 1' - 0"

DATE:

PROJECT NUMBER:

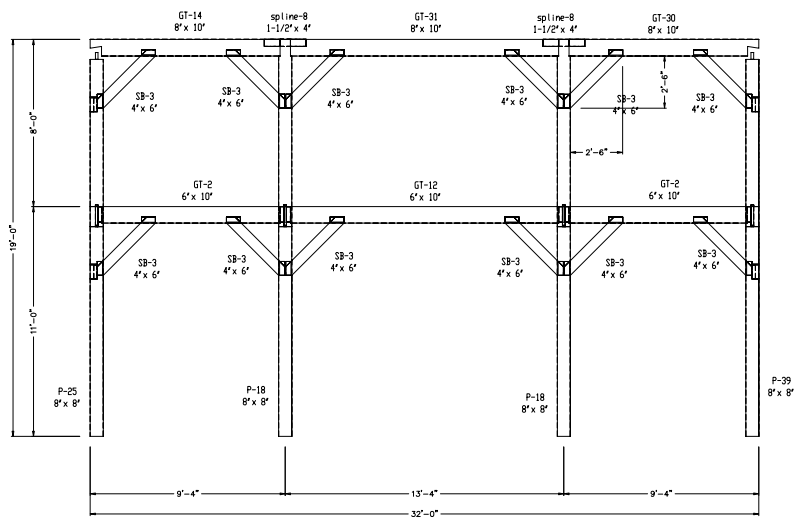


WALL 1
EAST ELEVATION



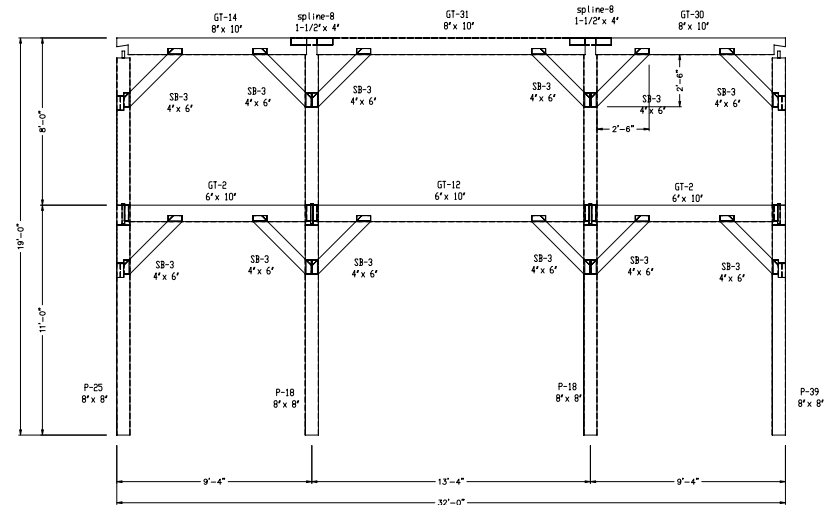
- BT = BAY TIE
- CT = COLLAR TIE
- EG = EAVE GIRT
- EP = EAVE PLATE
- FG = FLOOR GIRT
- CT = CABLE TIE
- HB = HAMMER BEAM
- HP = HAMMER POST
- HR = HIP RAFTER
- J = JOIST
- KPO = KING POST
- P = POST
- PR = PORCH RAFTER
- PT = PURLIN TIE
- PN = BENT PURLIN
- PLN = PRINCIPLE PURLIN
- R = RAFTER
- RPN = RIDGE PURLIN
- VR = VALLEY RAFTER

ALL DOUGLAS FIR TIMBERS
ARE NOMINAL SIZE
(example 6x8 = 5 1/2 x 7 1/2)
(EXCEPT BRACES)



ALL FRAME MEMBERS ARE OF STRUCTURAL DOUGLAS FIR
(SUBSTITUTE SPECIES WILL BE NOTED)

WALL 4
SOUTH ELEVATION



WALL 2
NORTH ELEVATION



NOTE: ALL FRAME WALLS ARE VIEWED FROM
OUTSIDE UNLESS NOTED OTHERWISE

COPYRIGHT LAWS PROHIBIT REPRODUCTION OR USE OF THIS DRAWING,
IN WHOLE OR IN PART, WITHOUT THE EXPRESSED WRITTEN PERMISSION
OF DW TIMBER FRAME DESIGN, LLC, KEENE, NEW HAMPSHIRE

DO NOT SCALE DIMENSIONS ON THESE
DRAWINGS. THESE IMAGES ARE
MACHINE REPRODUCTIONS AND MAY
CONTAIN A MARGIN OF ERROR.

DW TIMBER FRAME DESIGN, LLC

CUSTOMER: BROWN BARN

DRAWING: WALL 1, 2, 4

SCALE: 3/8" = 1' - 0"

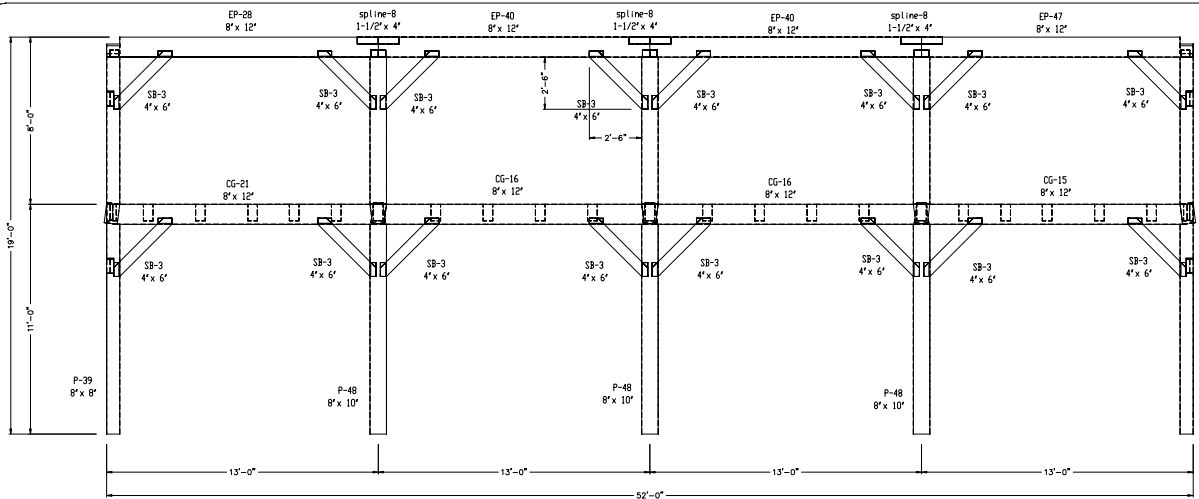
DRAWN BY: DEW

REVISIONS: 5/10/06

PROJECT NUMBER:

DRAWING
NUMBER:

F1

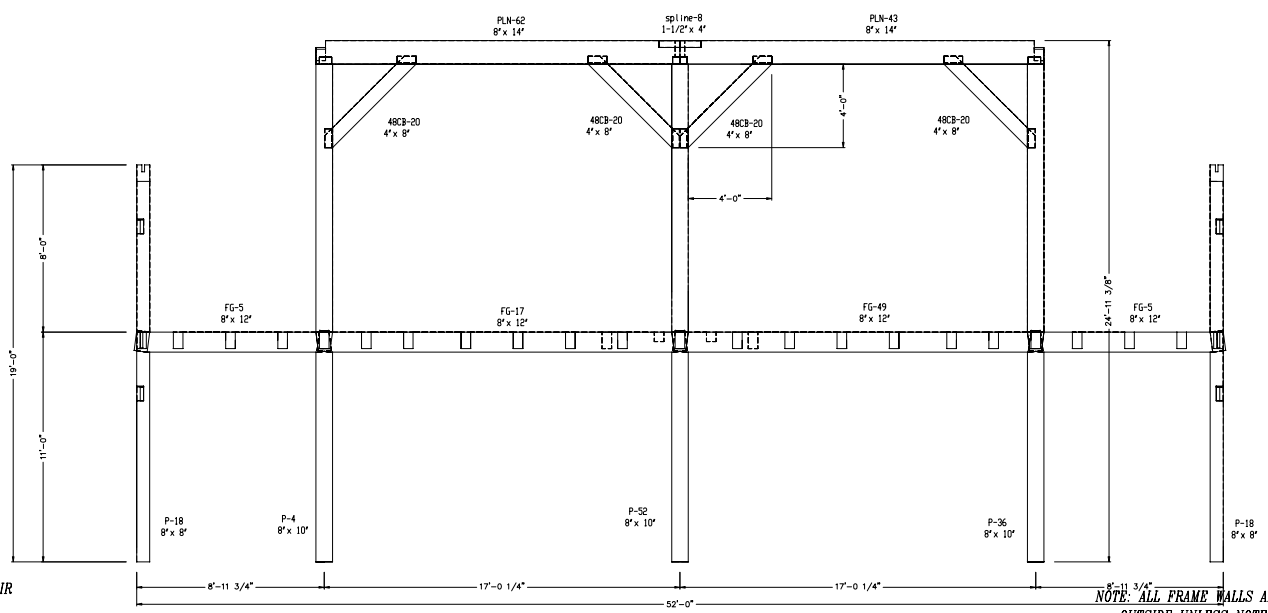


- BT = BAY TIE
- CT = COLLAR TIE
- EC = EAVE GIRT
- EP = EAVE PLATE
- FG = FLOOR GIRT
- CT = CABLE TIE
- HB = HAMMER BEAM
- HP = HAMMER POST
- HR = HIP RAFTER
- J = JOIST
- KPO = KING POST
- P = POST
- PR = PORCH RAFTER
- PT = PURLIN TIE
- PW = BENT PURLIN
- PLN = PRINCIPLE PURLIN
- R = RAFTER
- RPN = RIDGE PURLIN
- VR = VALLEY RAFTER



**WALL 3
WEST ELEVATION**

ALL DOUGLAS FIR TIMBERS
ARE NOMINAL SIZE
(example 6x8 = 5 1/2 x 7 1/2)
(EXCEPT BRACES)



**WALL 5
VIEWED FROM EAST**

ALL FRAME MEMBERS ARE OF STRUCTURAL DOUGLAS FIR
(SUBSTITUTE SPECIES WILL BE NOTED)

NOTE: ALL FRAME WALLS ARE VIEWED FROM
OUTSIDE UNLESS NOTED OTHERWISE

COPYRIGHT LAWS PROHIBIT REPRODUCTION OR USE OF THIS DRAWING,
IN WHOLE OR IN PART, WITHOUT THE EXPRESSED WRITTEN PERMISSION
OF DW TIMBER FRAME DESIGN, LLC KEENE, NEW HAMPSHIRE

DO NOT SCALE DIMENSIONS ON THESE
DRAWINGS. THESE IMAGES ARE
MACHINE REPRODUCTIONS AND MAY
CONTAIN A MARGIN OF ERROR.

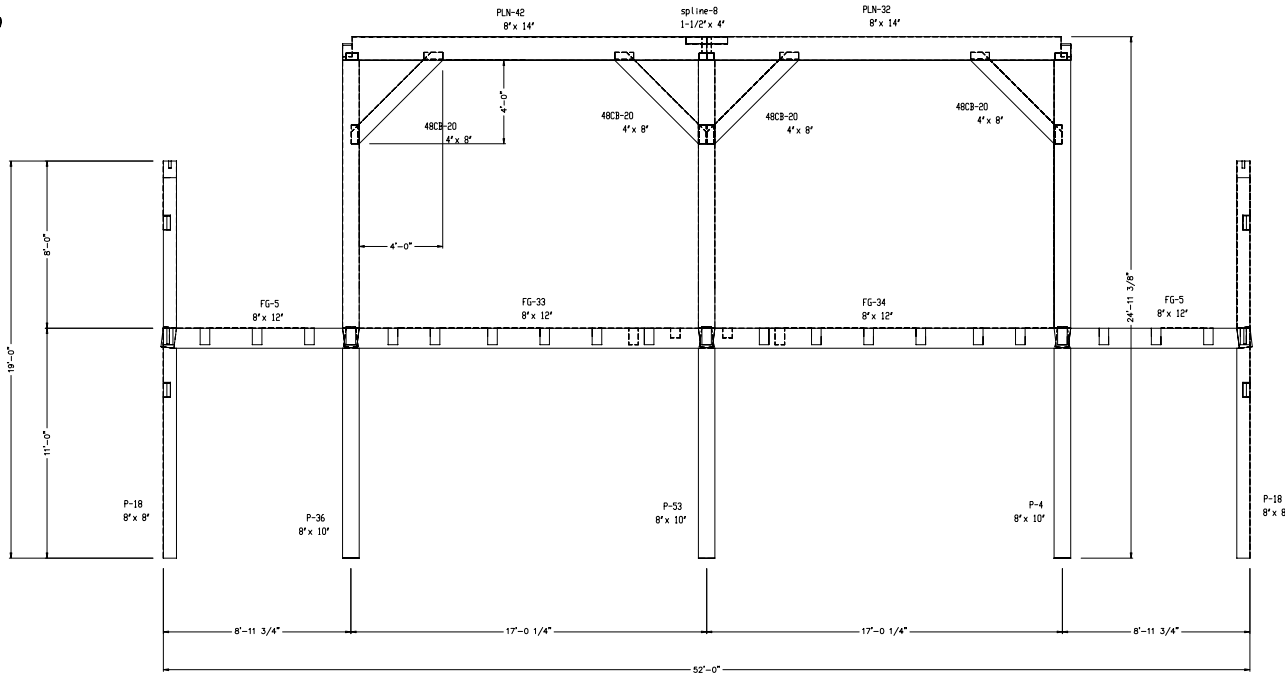
DW TIMBER FRAME DESIGN, LLC

CUSTOMER: BROWN BARN
DRAWING: WALL 3, 5
SCALE: 3/8" = 1' - 0"

DRAWN BY: DEW
REVISIONS: 5/10/06
DATE:
PROJECT NUMBER:

DRAWING
NUMBER:
F2

ALL DOUGLAS FIR TIMBERS
ARE NOMINAL SIZE
(example 6x8 = 5 1/2 x 7 1/2)
(EXCEPT BRACES)



BT = BAY TIE
CT = COLLAR TIE
EG = EAVE GIRT
EP = EAVE PLATE
FG = FLOOR GIRT
GT = GABLE TIE
HB = HAMMER BEAM
HP = HAMMER POST
IR = HIP RAFTER
J = JOIST
KPO = KING POST
P = POST
PR = PURCH RAFTER
PT = PURLIN TIE
PN = BENT PURLIN
PLN = PRINCIPLE PURLIN
R = RAFTER
RPN = RIDGE PURLIN
VR = VALLEY RAFTER

WALL 5
VIEWED FROM EAST



ALL FRAME MEMBERS ARE OF STRUCTURAL DOUGLAS FIR
(SUBSTITUTE SPECIES WILL BE NOTED)

NOTE: ALL FRAME WALLS ARE VIEWED FROM
OUTSIDE UNLESS NOTED OTHERWISE

COPYRIGHT LAWS PROHIBIT REPRODUCTION OR USE OF THIS DRAWING,
IN WHOLE OR IN PART, WITHOUT THE EXPRESSED WRITTEN PERMISSION
OF DW TIMBER FRAME DESIGN, LLC KEENE, NEW HAMPSHIRE

DO NOT SCALE DIMENSIONS ON THESE
DRAWINGS. THESE IMAGES ARE
MACHINE REPRODUCTIONS AND MAY
CONTAIN A MARGIN OF ERROR.

DW TIMBER FRAME DESIGN, LLC

CUSTOMER: BROWN BARN

DRAWN BY: DEW

DRAWING: WALL 6

REVISIONS: 5/10/06

SCALE: 3/8" = 1' - 0"

DATE:

PROJECT NUMBER:

DRAWING
NUMBER:

F3

